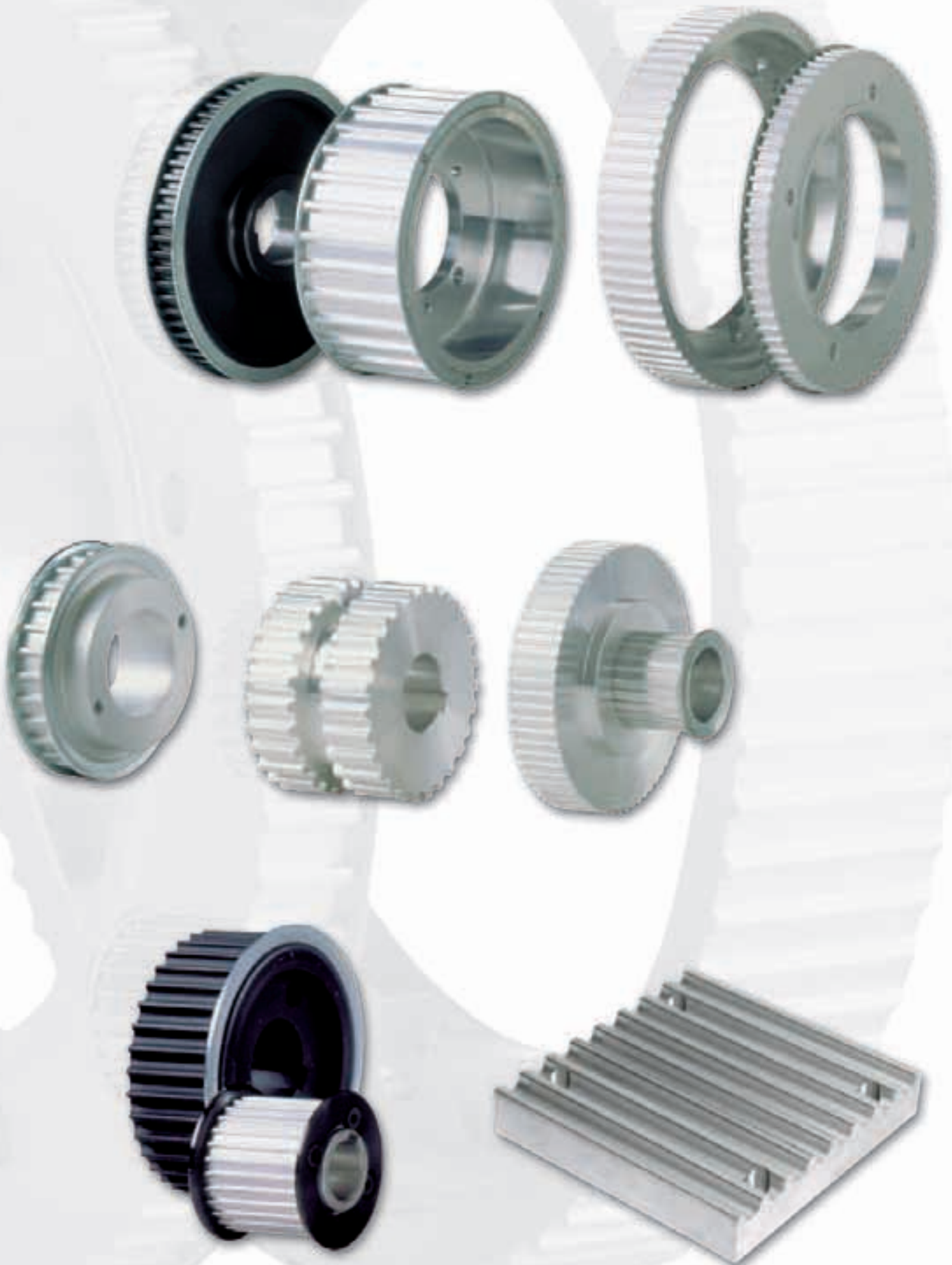


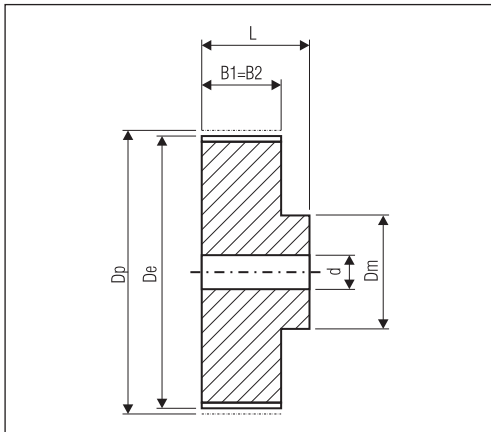
## ***PULLEYS / CLAMPING PLATES***

***Custom made and standard pulleys and clamping plates***

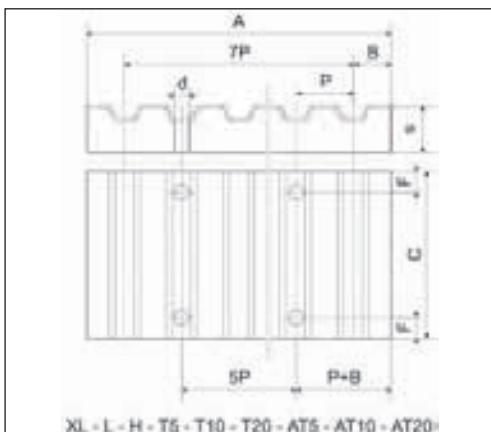
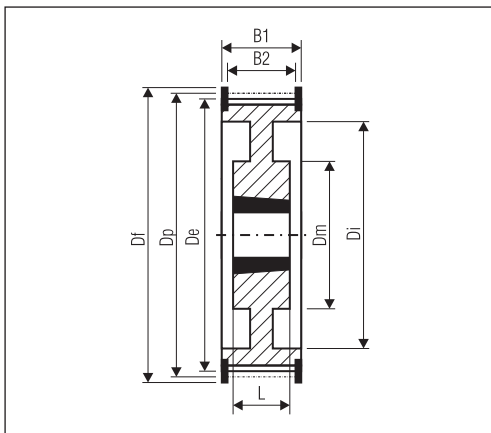
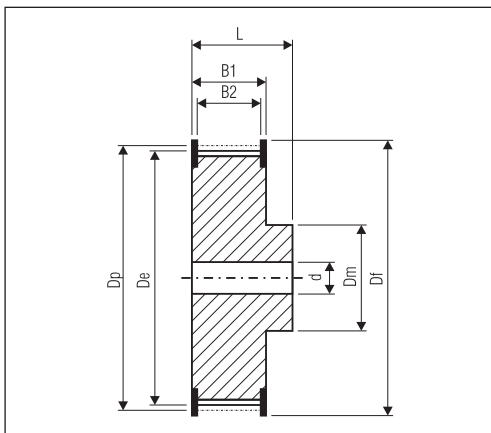


# PULLEYS / CLAMPING PLATES

## Custom made and standard pulleys and clamping plates



**Megadyne** can supply the complete drives. We can provide, either standard pulleys, made in according to ISO spec and customer specific requirements.



<b>Imperial</b>	MXL - XL - L - H - XH - XXH - HG
<b>HTD</b>	3M - 5M - 8M - 14M
<b>METRIC</b>	T2.5 - T5 - T10 - T20 - AT3 - AT5 - AT10 AT20 - TG5 - TG10 - TG20 - ATG10
<b>RPP</b>	RPP5 - RPP8 - RPP14