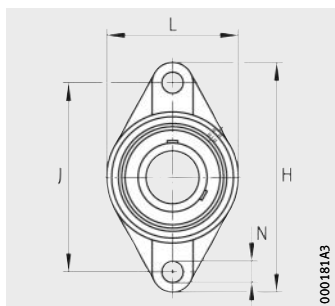
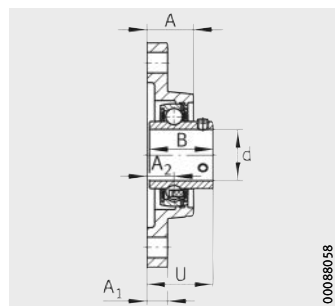


Two-bolt flanged housing units

Oval version
With grub screws
in inner ring



UCFL



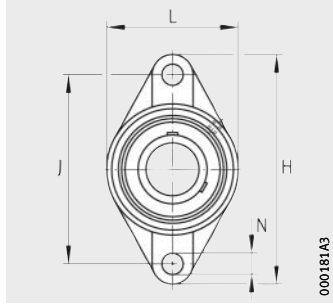
UCFL

Dimension table · Dimensions in mm and inch

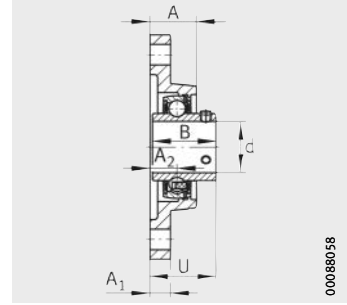
Designation	Mass m ≈kg	Dimensions										Housing	Radial insert ball bearing	
		d		H	J	L	A	A ₁	A ₂	N	B			U
		mm	inch											
UCFL201	0,47	12	–	113	90	60	25,5	12	15	12	31	33,3	FL204	UC201
UCFL201-08	0,47	12,7	1/2											UC201-08
UCFL202-09	0,47	14,288	9/16											UC202-09
UCFL202	0,46	15	–											UC202
UCFL202-10	0,46	15,875	5/8											UC202-10
UCFL203	0,45	17	–											UC203
UCFL203-11	0,45	17,462	11/16											UC203-11
UCFL204-12	0,43	19,05	3/4											UC204-12
UCFL204	0,42	20	–											UC204
UCFL205-13	0,68	20,638	13/16	130	99	68	27	15	16	16	34,1	35,8	FL205	UC205-13
UCFL205-14	0,67	22,225	7/8											UC205-14
UCFL205-15	0,65	23,812	15/16											UC205-15
UCFL205	0,64	25	–											UC205
UCFL205-16	0,64	25,4	1											UC205-16
UCFL206-17	0,92	26,988	1 1/16											148
UCFL206-18	0,9	28,575	1 1/8	UC206-18										
UCFL206	0,88	30	–	UC206										
UCFL206-19	0,88	30,162	1 3/16	UC206-19										
UCFL206-20	0,85	31,75	1 1/4	UC206-20										
UCFL207-20	1,27	31,75	1 1/4	161	130	90	34	16	19	16	42,9	44,4	FL207	UC207-20
UCFL207-21	1,24	33,338	1 5/16											UC207-21
UCFL207-22	1,21	34,925	1 3/8											UC207-22
UCFL207	1,21	35	–											UC207
UCFL207-23	1,18	36,512	1 7/16											UC207-23
UCFL208-24	1,53	38,1	1 1/2	175	144	100	36	16	21	16	49,2	51,2	FL208	UC208-24
UCFL208-25	1,49	39,688	1 9/16											UC208-25
UCFL208	1,48	40	–											UC208
UCFL209-26	2,05	41,275	1 5/8	188	148	108	38	18	22	19	49,2	52,2	FL209	UC209-26
UCFL209-27	2,01	42,862	1 11/16											UC209-27
UCFL209-28	1,97	44,45	1 3/4											UC209-28
UCFL209	1,95	45	–											UC209

Two-bolt flanged housing units

Oval version
With grub screws
in inner ring



UCFL



UCFL

Dimension table (continued) · Dimensions in mm and *inch*

Designation	Mass m ≈kg	Dimensions										Housing	Radial insert ball bearing	
		d		H	J	L	A	A ₁	A ₂	N	B			U
		mm	<i>inch</i>											
UCFL210-29	2,34	46,038	<i>1 13/16</i>	197	157	115	40	18	22	19	51,6	54,6	FL210	UC210-29
UCFL210-30	2,3	47,625	<i>1 7/8</i>											UC210-30
UCFL210-31	2,25	49,212	<i>1 15/16</i>											UC210-31
UCFL210	2,23	50	–											UC210
UCFL210-32	2,2	50,8	<i>2</i>	224	184	130	43	20	25	19	55,6	58,4	FL211	UC210-32
UCFL211-32	3,02	50,8	<i>2</i>											UC211-32
UCFL211-33	2,96	52,388	<i>2 1/16</i>											UC211-33
UCFL211-34	2,91	53,975	<i>2 1/8</i>											UC211-34
UCFL211	2,87	55	–	250	202	140	48	20	29	23	65,1	68,7	FL212	UC211
UCFL211-35	2,85	55,562	<i>2 3/16</i>											UC211-35
UCFL212-36	4,1	57,15	<i>2 1/4</i>											UC212-36
UCFL212-37	4,02	58,738	<i>2 5/16</i>											UC212-37
UCFL212	3,96	60	–	258	210	155	50	24	30	23	65,1	69,7	FL213	UC212
UCFL212-38	3,95	60,325	<i>2 3/8</i>											UC212-38
UCFL212-39	3,87	61,912	<i>2 7/16</i>											UC212-39
UCFL213-40	4,76	63,5	<i>2 1/2</i>											UC213-40
UCFL213	4,69	65	–	265	216	160	54	24	31	23	74,6	75,4	FL214	UC213
UCFL213-41	4,68	65,087	<i>2 9/16</i>											UC213-41
UCFL214-42	5,44	66,675	<i>2 5/8</i>											UC214-42
UCFL214-43	5,34	68,262	<i>2 11/16</i>											UC214-43
UCFL214-44	5,24	69,85	<i>2 3/4</i>	275	225	165	56	24	34	23	77,8	78,5	FL215	UC214-44
UCFL214	5,23	70	–											UC214
UCFL215-45	5,94	71,438	<i>2 13/16</i>											UC215-45
UCFL215-46	5,83	73,025	<i>2 7/8</i>											UC215-46
UCFL215-47	5,72	74,612	<i>2 15/16</i>	290	233	180	58	24	34	25	82,6	83,3	FL216	UC215-47
UCFL215	5,69	75	–											UC215
UCFL215-48	5,61	76,2	<i>3</i>											UC215-48
UCFL216-49	7,4	77,787	<i>3 1/16</i>											UC216-49
UCFL216-50	7,28	79,375	<i>3 1/8</i>	305	248	190	63	26	36	25	85,7	87,6	FL217	UC216-50
UCFL216	7,23	80	–											UC216
UCFL216-51	7,15	80,962	<i>3 3/16</i>											UC216-51
UCFL217-52	8,74	82,55	<i>3 1/4</i>											UC217-52
UCFL217-53	8,61	84,137	<i>3 5/16</i>	320	265	205	68	26	40	25	96	96,3	FL218	UC217-53
UCFL217	8,6	85	–											UC217
UCFL217-55	8,32	87,312	<i>3 7/16</i>											UC217-55
UCFL218-56	10,5	88,9	<i>3 1/2</i>											UC218-56
UCFL218	10,39	90	–	UC218										