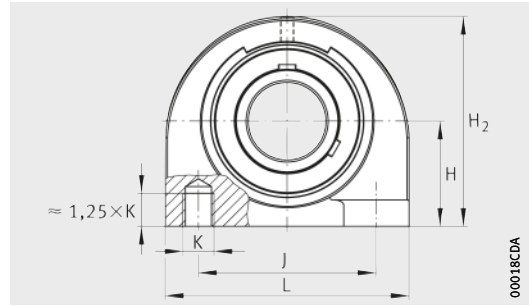


# Plummer block housing units

Flake graphite cast iron housing  
with short base  
With grub screws in inner ring



UCPA

**Dimension table** · Dimensions in mm and *inch*

| Designation | Mass<br>m<br>≈kg | Dimensions |             | H    | A  | H <sub>2</sub> |
|-------------|------------------|------------|-------------|------|----|----------------|
|             |                  | d          |             |      |    |                |
|             |                  | mm         | <i>inch</i> |      |    |                |
| UCPA201     | 0,65             | 12         | –           | 30,2 | 38 | 62             |
| UCPA201-08  | 0,65             | 12,7       | 1/2         |      |    |                |
| UCPA202-09  | 0,64             | 14,288     | 9/16        |      |    |                |
| UCPA202     | 0,64             | 15         | 15          |      |    |                |
| UCPA202-10  | 0,63             | 15,875     | 5/8         |      |    |                |
| UCPA203     | 0,63             | 17         | –           |      |    |                |
| UCPA203-11  | 0,63             | 17,462     | 11/16       |      |    |                |
| UCPA204-12  | 0,62             | 19,05      | 3/4         |      |    |                |
| UCPA204     | 0,61             | 20         | –           |      |    |                |
| UCPA205-13  | 0,87             | 20,638     | 13/16       | 36,5 | 38 | 72             |
| UCPA205-14  | 0,86             | 22,225     | 7/8         |      |    |                |
| UCPA205-15  | 0,84             | 23,812     | 15/16       |      |    |                |
| UCPA205     | 0,83             | 25         | –           |      |    |                |
| UCPA205-16  | 0,83             | 25,4       | 1           |      |    |                |
| UCPA206-17  | 1,26             | 26,988     | 1 1/16      | 42,9 | 48 | 84             |
| UCPA206-18  | 1,24             | 28,575     | 1 1/8       |      |    |                |
| UCPA206     | 1,22             | 30         | –           |      |    |                |
| UCPA206-19  | 1,22             | 30,162     | 1 3/16      |      |    |                |
| UCPA206-20  | 1,2              | 31,75      | 1 1/4       |      |    |                |
| UCPA207-20  | 1,75             | 31,75      | 1 1/4       | 47,6 | 48 | 95             |
| UCPA207-21  | 1,73             | 33,338     | 1 5/16      |      |    |                |
| UCPA207-22  | 1,7              | 34,925     | 1 3/8       |      |    |                |
| UCPA207     | 1,7              | 35         | –           |      |    |                |
| UCPA207-23  | 1,67             | 36,512     | 1 7/16      |      |    |                |
| UCPA208-24  | 1,96             | 38,1       | 1 1/2       | 49,2 | 54 | 100            |
| UCPA208-25  | 1,92             | 39,688     | 1 9/16      |      |    |                |
| UCPA208     | 1,91             | 40         | –           |      |    |                |
| UCPA209-26  | 2,28             | 41,275     | 1 5/8       | 54,2 | 54 | 108            |
| UCPA209-27  | 2,24             | 42,862     | 1 11/16     |      |    |                |
| UCPA209-28  | 2,2              | 44,45      | 1 3/4       |      |    |                |
| UCPA209     | 2,19             | 45         | –           |      |    |                |
| UCPA210-29  | 2,9              | 46,038     | 1 13/16     | 57,2 | 60 | 116            |
| UCPA210-30  | 2,85             | 47,625     | 1 7/8       |      |    |                |
| UCPA210-31  | 2,8              | 49,212     | 1 15/16     |      |    |                |
| UCPA210     | 2,78             | 50         | –           |      |    |                |
| UCPA210-32  | 2,76             | 50,8       | 2           |      |    |                |