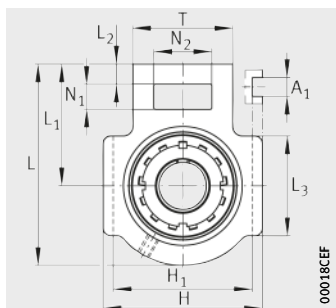
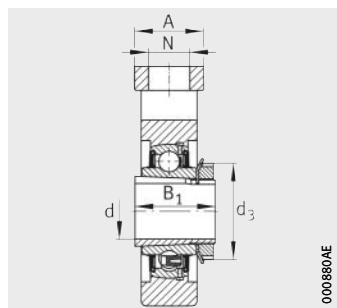


# Take-up housing units

For linear motion  
With adapter sleeve



UKT



UKT

**Dimension table** · Dimensions in mm

Designation	Mass m ≈ kg	Dimensions				
		d	L	L <sub>1</sub>	L <sub>2</sub>	L <sub>3</sub>
<b>UKT205</b>	0,85	<b>20</b>	97	62	10	51
<b>UKT206</b>	1,29	<b>25</b>	113	70	10	57
<b>UKT207</b>	1,66	<b>30</b>	129	78	13	64
<b>UKT208</b>	2,4	<b>35</b>	144	88	16	83
<b>UKT209</b>	2,5	<b>40</b>	144	87	16	83
<b>UKT210</b>	2,7	<b>45</b>	149	90	16	86
<b>UKT211</b>	4	<b>50</b>	171	106	19	95
<b>UKT212</b>	4,79	<b>55</b>	194	119	19	102
<b>UKT213</b>	6,76	<b>60</b>	224	137	21	121
<b>UKT215</b>	7,68	<b>65</b>	232	140	21	121
<b>UKT216</b>	8,6	<b>70</b>	235	140	21	121
<b>UKT217</b>	11,2	<b>75</b>	260	162	29	157
<b>UKT218</b>	12,77	<b>80</b>	275	170	30	140

										Housing	Radial insert ball bearing
N	N <sub>1</sub>	N <sub>2</sub>	A	H	H <sub>1</sub>	A <sub>1</sub>	B <sub>1</sub>	d <sub>3</sub> max.	T		
19	16	32	32	89	76	12	35	38	51	T205	UK205
22	16	37	37	102	89	12	38	45	56	T206	UK206
22	16	37	37	102	89	12	43	52	64	T207	UK207
29	19	49	49	114	102	16	46	58	83	T208	UK208
29	19	49	49	117	102	16	50	65	83	T209	UK209
29	19	49	49	117	102	16	55	70	83	T210	UK210
35	25	64	64	146	130	22	59	75	102	T211	UK211
35	32	64	64	146	130	22	62	80	102	T212	UK212
41	32	70	70	167	151	26	65	85	111	T213	UK213
41	32	70	70	167	151	26	73	98	111	T215	UK215
41	32	70	70	184	165	26	78	105	111	T216	UK216
48	38	73	73	198	173	30	82	110	124	T217	UK217
47	40	80	80	215	190	28	86	120	130	T218	UK218